



Benchtopy Edgebander

EB-B2000P MANUAL

CARBATEC.COM.AU



carbatec®

THANK YOU FOR CHOOSING carbatec®

Carbatec has been a trusted brand for woodworking enthusiasts and professionals across Australia and New Zealand, since 1987.




Our quality woodworking products are designed and built to offer value and performance, making the latest features and technological advancements more accessible to Aussie woodworkers.

Backed by our no-fuss after-sales care and warranty support, you can trust Carbatec to keep you woodworking, as promised.

We look forward to sharing in your woodworking journey!

If you have any questions about our products or service, please call us on **1800 658 111** or email us at info@carbatec.com.au

Find us on social media

-  facebook.com/Carbatec
-  instagram.com/Carbatec
-  youtube.com/CarbaTecToolsForWood

WHAT'S IN THE BOX

The following items are provided in the shipping box:



EB-B2000P BENCHTOP EDGEBANDER

- | | |
|--|---|
| <ul style="list-style-type: none"> A. Main unit with heat gun B. Outrigger support table C. Allen key | <ul style="list-style-type: none"> D. Support leg / Reel holder E. Edge trimming tool |
|--|---|

This benchtop edgebander will require a minimal amount of assembly.

1. Remove parts from all of the cartons and lay them on a clean work surface.
2. Remove any protective materials and coatings from all of the parts and the benchtop edgebander. The protective coatings can be removed by spraying WD-40 on them and wiping it off with a soft cloth. This may need to be redone several times before all of the protective coatings are removed completely.
3. Compare the items above to verify that all items are accounted for before discarding the shipping box.

CAUTION

DO NOT use acetone, gasoline or lacquer thinner to remove any protective coatings.

WARNING

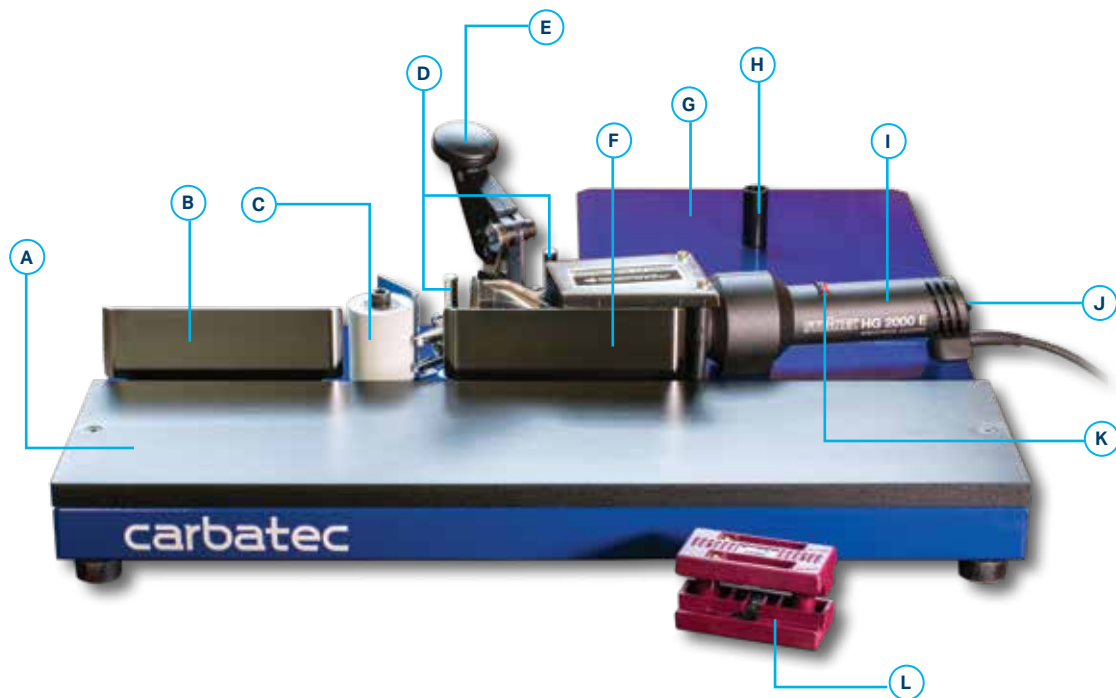
If any parts are missing, do not attempt to plug in the power cord and turn "ON" the machine. The benchtop edgebander can only be turned "ON" after all the parts have been installed correctly.

CONTENTS

Introduction	2
What's in the box	3
Contents	4
Overview	5
Specifications	6
Safety instructions - General	7–10
Safety instructions - Edgebander	11
Safety instructions - Electrical	12
Assembly	13–14
Operation	15–16
Maintenance & Troubleshooting	17
Parts diagram	18
Warranty	19

NOTE: The specifications, photographs, drawings and information in this manual represent the current machine model when the manual was prepared. Changes and improvements may be made at any time, with no obligation on the part of Carbatec to modify previously delivered units. Reasonable care has been taken to ensure that the information in this manual is correct, to provide you with the guidelines for the proper safety, assembly and operation of this machine.

OVERVIEW



BENCHTOP EDGEBANDER OVERVIEW

- | | |
|--------------------------|-----------------------------------|
| A. Table | G. Outrigger support table |
| B. Outfeed fence | H. Edgebanding roll pin |
| C. Roller | I. Heat gun |
| D. Banding guides | J. ON/OFF switch |
| E. Band cutter | K. Temperature control |
| F. Infeed fence | L. Edge trimming tool |

SPECIFICATIONS


The Carbatec benchtop edgebander has been designed to handle wood and polyester edgebanding materials. All edgebanding materials used with this machine must be backed with a hot melt adhesive. The heat gun prepares the glue for bonding to the substrate.

The benchtop edgebander will accommodate material as wide as 56 mm. The upper and lower edge band guides are adjustable to fit different widths of material.

The width of the edgebanding material you select is dependent on the thickness of the stock you are edgebanding. The edgebanding material is usually more than 1.6 mm wider than the stock. This gives you 0.8 mm of excess to remove from either side of the work with the double edge laminate trimmer supplied.

CODE	EB-B2000P
BRAND	Carbatec
POWER	2000 W
OVERALL SIZE (W x Ø)	680 x 680 mm
WEIGHT	13 kg

Key information can be found on the inspection panel, found on the rear of the machine.



QUALITY INSPECTED

Model:
Voltage
Freq:
Phase:T
Amp:
kW:
Speed:
Lot No.:
Serial No.:
Date:



Record the serial number and date of purchase in your manual for future reference.

SERIAL NUMBER:

DATE OF PURCHASE:

SAFETY INSTRUCTIONS

IMPORTANT! Safety is the single most important consideration in the operation of this equipment. The following instructions must be followed at all times. Failure to follow all instructions listed below may result in electric shock, fire, and/or serious personal injury. There are certain applications for which this tool was designed. We strongly recommend that this tool not be modified and/or used for any other application other than that for which it was designed. If you have any questions about its application, do not use the tool until you have contacted us and we have advised you.

The purpose of safety symbols is to attract your attention to possible dangers. The safety symbols and the explanations with them deserve your careful attention and understanding. The symbol warnings do not, by themselves, eliminate any danger. The instructions and warnings they give are no substitutes for proper accident prevention measures.



WARNING

Be sure to read and understand all safety instructions in this manual, including all safety alert symbols such as "DANGER," "WARNING," and "CAUTION" before using this tool. Failure to following all instructions listed below may result in electric shock, fire, and/or serious personal injury.

7

SYMBOL MEANING



A safety alert symbol Indicates **DANGER, WARNING, or CAUTION.** May be used in conjunction with other symbols or pictographs.



DANGER

Indicates an imminently hazardous situation, which, if not avoided, will result in death or serious injury.



WARNING

Indicates a potentially hazardous situation, which, if not avoided, could result in death or serious injury.



CAUTION

Indicates a potentially hazardous situation, which, if not avoided, could result in minor or moderate injury.

NOTICE

(Without Safety Alert Symbol) Indicates a situation that may result in property damage.



Carbatec products bearing the Regulatory Compliance Mark (RCM) have been tested in accordance with applicable Australian/New Zealand Standards to ensure their compliance with all mandatory standards and regulations (applicable at time of original sale). Carbatec Pty Ltd are registered as a responsible supplier with relevant Australian government departments and our products are registered on the EESS & ACMA database.

GENERAL SAFETY

Operating a power tool can be dangerous if safety and common sense are ignored. The operator must be familiar with the operation of this machine. Read this manual to understand this machine. **DO NOT OPERATE** this machine **IF YOU DO NOT FULLY UNDERSTAND** the limitations of this tool. **DO NOT MODIFY** this machine in any way.

BEFORE USING THIS MACHINE



WARNING

To avoid serious injury and damage to the tool, read and follow all of the Safety and Operating Instructions before operating the machine.



WARNING

1. **SOME DUST CREATED BY USING POWER TOOLS CONTAINS CHEMICALS** known to cause cancer, birth defects, or other reproductive harm. Some examples of these chemicals are:
 - Lead from lead-based paints.
 - Crystalline silica from bricks, cement, and other masonry products.
 - Arsenic and chromium from chemically treated lumber

Your risk from these exposures varies, depending on how often you do this type of work. To reduce your exposure to these chemicals: work in a well ventilated area and work with approved safety equipment, such as those dust masks that are specially designed to filter out microscopic particles.

2. **READ** this entire manual. **LEARN** how to use the tool for its intended applications.
3. **GROUND ALL TOOLS.** If the tool is supplied with a 3-prong plug, it must be plugged into a 3-contact electrical receptacle. The third prong is used to ground the tool and provide protection against accidental electric shock.
4. **AVOID A DANGEROUS WORKING ENVIRONMENT.** Do not use electrical tools in a damp environment or expose them to rain.
5. **DO NOT USE** electrical tools in the presence of **FLAMMABLE** liquids or gases.
6. **ALWAYS KEEP THE AREA CLEAN,** well lit, and organized. Do not work in an environment with floor surfaces that are slippery from debris, grease, and wax.
7. **KEEP VISITORS AND CHILDREN AWAY.** Do not permit people to be in the immediate work area, especially when the electrical tool is operating.
8. **DO NOT FORCE THE TOOL** to perform an operation for which it was not designed. It will do a safer and higher quality job by only performing operations for which the tool was intended.
9. **WEAR PROPER CLOTHING.** Do not wear loose clothing, gloves, neckties, or jewellery. These items can get caught in the machine during operations and pull the operator into the moving parts. The user must wear a protective cover on their hair, if hair is long, to prevent it from contacting any moving parts.

- 10. CHILDPROOF THE WORKSHOP AREA** by removing switch keys, unplugging tools from the electrical receptacles, and using padlocks.
- 11. ALWAYS UNPLUG THE TOOL FROM THE ELECTRICAL RECEPTACLE** when making adjustments, changing parts or performing any maintenance.
- 12. KEEP PROTECTIVE GUARDS IN PLACE AND IN WORKING ORDER.**
- 13. AVOID ACCIDENTAL STARTING.** Make sure that the power switch is in the "OFF" position before plugging in the power cord to the electrical receptacle.
- 14. REMOVE ALL MAINTENANCE TOOLS** from the immediate area prior to turning "ON" the machine.
- 15. USE ONLY RECOMMENDED ACCESSORIES.** Use of incorrect or improper accessories could cause serious injury to the operator and cause damage to the tool. If in doubt, check the instruction manual that comes with that particular accessory.
- 16. NEVER LEAVE A RUNNING TOOL UNATTENDED.** Turn the power switch to the "OFF" position. Do not leave the tool until it has come to a complete stop.
- 17. DO NOT STAND ON A TOOL.** Serious injury could result if the tool tips over, or you accidentally contact the tool.
- 18. DO NOT STORE ANYTHING ABOVE OR NEAR** the tool where anyone might try to stand on the tool to reach it.
- 19. MAINTAIN YOUR BALANCE.** Do not extend yourself over the tool. Wear oil resistant rubber soled shoes. Keep floor clear of debris, grease, and wax.
- 20. MAINTAIN TOOLS WITH CARE.** Always keep tools clean and in good working order. Keep all blades and tool bits sharp, dress grinding wheels and change other abrasive accessories when worn.
- 21. EACH AND EVERY TIME, CHECK FOR DAMAGED PARTS PRIOR TO USING THE TOOL.** Carefully check all guards to see that they operate properly, are not damaged, and perform their intended functions. Check for alignment, binding or breaking of moving parts. A guard or other part that is damaged should be immediately repaired or replaced.
- 22. DO NOT OPERATE TOOL WHILE TIRED, OR UNDER THE INFLUENCE OF DRUGS, MEDICATION OR ALCOHOL.**
- 23. SECURE ALL WORK.** Use clamps or jigs to secure the work piece. This is safer than attempting to hold the work piece with your hands.
- 24. STAY ALERT, WATCH WHAT YOU ARE DOING, AND USE COMMON SENSE WHEN OPERATING A POWER TOOL.** A moment of inattention while operating power tools may result in serious personal injury.
- 25. ALWAYS WEAR A DUST MASK TO PREVENT INHALING DANGEROUS DUST OR AIRBORNE PARTICLES,** including wood dust, crystalline silica dust and asbestos dust. Direct particles away from face and body.

GENERAL SAFETY

Always operate tool in well ventilated area and provide for proper dust removal. Use dust collection system wherever possible. Exposure to dust may cause serious and permanent respiratory or other injury, including silicosis (a serious lung disease), cancer, and death. Avoid breathing dust, and avoid prolonged contact with dust. Allowing dust to get into your mouth or eyes, or lay on your skin may promote absorption of harmful material. Always use properly fitting AS/NZS approved respiratory protection appropriate for the dust exposure, and wash exposed areas with soap and water.

26. USE A PROPER EXTENSION CORD IN GOOD CONDITION. Use of extension cords should be avoided where possible. When using an extension cord, be sure to have a cord heavy enough to carry the current your product will draw, and with compatible pin configuration and connections (NEVER use an extension cord rated at less than your machine). Longer run extensions will need heavier duty extension cords. Only connect your extension cord or machine to a receptacle that accepts your plug and never modify your plug to suit a receptacle.

10

NOTE: According to the applicable product liability law the manufacturer of this device is not liable for damages which arise on or in connection with this device in case of:

- Improper handling
- Non-compliance with the instructions for use
- Repairs by third party, non authorised skilled workers
- Installation and replacement of non-genuine spare parts
- Improper use

RECOMMENDATIONS:

- Read the entire text of the operating instructions prior to the assembly and operation of the device. These operating instructions are intended to make it easier for you to get familiar with your device and utilise its intended possibilities of use.
- The operating instructions contain important notes on how to work safely with your machine and how to avoid dangers, and increase the reliability and working life of the machine.
- Retain and store these instructions near the machine. The instructions must be read and carefully observed by each operator prior to starting the work.
- In addition to the safety notes contained in the present operating instructions and the special regulations of your country, the generally recognised technical rules for the operation of wood working machines must be observed.

EDGEBANDER SAFETY

The device and packaging materials are not toys! Children must not be allowed to play with plastic bags, film and small parts! There is a risk of swallowing and suffocation!

INTENDED USE

- The machine must only be used in technically perfect condition in accordance with its designated use and the instructions set out in the operating manual, and only by safety-conscious persons who are fully aware of the risks involved in operating the machine. Any functional disorders, especially those affecting the safety of the machine, should therefore be rectified immediately. The safety, work and maintenance instructions of the manufacturer as well as the technical data given in the calibrations and dimensions must be adhered to.
- Relevant accident prevention regulations and other, generally recognised safety-technical rules must also be adhered to.
- The machine may only be used, maintained, and operated by persons familiar with it and instructed in its operation and procedures. Arbitrary alterations to the machine release the manufacturer from all responsibility for any resulting damages.
- The machine may only be used with original accessories and tools made by or recommended by the manufacturer.
- Any other use exceeds authorisation. The manufacturer is not responsible for any damages resulting from unauthorised use; risk is the sole responsibility of the operator.

SAFETY FOR BENCHTOP EDGEBANDER

- This benchtop edgebander is intended for use in dry conditions, and for indoor use only.
- **Do not put your hand or any part of your body directly in front of the nozzle of the heat gun.**
- **Keep all combustible materials away from this tool.**

ELECTRICAL SAFETY

WARNING

This tool must be grounded while in use to protect the operator from electric shock. IN THE EVENT OF A MALFUNCTION OR BREAKDOWN, grounding provides the path of least resistance for electric current and reduces the risk of electric shock. This tool may be equipped with an electric cord that has an equipment grounding conductor and a grounding plug. **The plug MUST Be plugged** into a matching electrical receptacle that is properly installed and grounded in accordance with **ALL** local codes and ordinances.

DO NOT MODIFY THE PLUG PROVIDED.

If it will not fit the electrical receptacle, have the proper electrical receptacle installed by a qualified electrician.

IMPROPER ELECTRICAL CONNECTION of the equipment grounding conductor can result in risk of electric shock. The conductor with the green insulation (with or without yellow stripes) is the equipment grounding conductor. **DO NOT** connect the equipment grounding conductor to a live terminal if repair or replacement of the electric cord or plug is necessary.

CHECK WITH A QUALIFIED ELECTRICIAN

or service personnel if you do not completely understand the grounding instructions, or if you are not sure the tool is properly grounded.

Use only a 3-wire extension cord that has a 3-prong grounding plug and a 3-pole receptacle that accepts the tool's plug. Replace a damaged or worn cord immediately.

Power tools and machinery are intended for use on a circuit that has an electrical receptacle as shown in **FIGURE A** that shows a 10 Amp 3-wire electrical plug and corresponding electrical receptacle that has a grounding conductor.

If this particular tool has been designed and fitted with a two prong electrical plug, ensure it displays the 'Double Insulated' logo shown in **FIGURE B**, before connecting to a 3-wire receptacle.

WARNING

Never modify the standard fitted electrical plugs to fit your receptacle.



ASSEMBLY

A. BODY SETUP

1. Assemble the outrigger support table that houses the roll of banding to the main body of the edgebander using the two M6 socket head cap screws and washers supplied.

Fig. A1 & A2

NOTE: The socket head cap screws and washers are inserted into the holes on rear of main unit. Remove them prior to continuing.

2. Take the M8x100 hex cap screw and put it through the hole in the centre of the support table and screw it into the bottom of the pin. Make sure the hex nut is on the bottom side of the table in order to lock the screw in place. The height of the screw should be level with the feet of the main body of the machine.

Fig. A3, A4 & A5



ASSEMBLY

B. BANDING GUIDE ADJUSTMENT

1. Loosen the socket head cap screws to adjust the upper and lower edge guides.

Fig. B1



NOTE: The lower guides are best set just below the table.

2. To adjust the guides to fit different widths of banding, use the top guides for adjustment. Do not make the fit too tight, you need the banding to slide easily through the guides

Fig. B2 & B3



C. FENCES ADJUSTMENT

The infeed and outfeed fences have been factory set although you may want to check the setup is suitable for your chosen edgebanding material. Both fences should be set slightly back from the roller, by approximately the thickness of your edgebanding material. This will ensure effective pressure against roller, and along the outfeed fence, and better adhesion of the edgebanding material.

1. Place a straight edge or rule across both infeed and outfeed fences.

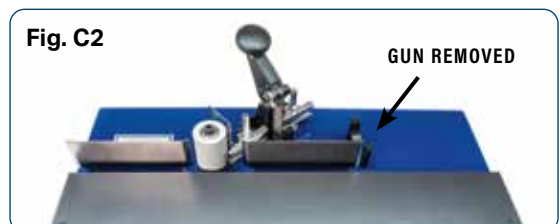
Fig. C1



2. Check the alignment of the fences for parallel, and for the position of the roller, in relation to the fences.



3. Adjust the outfeed fence as required by loosening the two cap screws on the rear of the fence, adjusting and re-tightening into position.



4. Adjust the infeed fence as required

OPERATION

by first switching OFF the heat gun, removing it from power and allowing it to cool completely.

5. Once cool, loosen the two top screws that retain the heat gun in the saddle. Note its position or mark the heat gun body with a pen.
6. Adjust the infeed fence as required by

loosening the two cap screws on the rear of the fence, adjusting and re-tightening into position.

7. Re-fit the heat gun ensuring it is placed in the same position.
8. Depending on your edge band material, only minor adjustment may be needed to the outfeed fence.

D. HEAT GUN CONTROLS

The ON/OFF switch is at the end of the handle. The dial adjusts the intensity of the heat. Red is hotter, blue is cooler.

Fig. D1



WARNING

The nozzle of the heat gun and the air from it are VERY HOT. Do not put hands anywhere near the nozzle. Keep away from combustible material!

E. FEEDING THE EDGEBANDING

1. Position the edgebanding roll over the pin on the outrigger support table. Feed the banding through the edge guides with the glued surface facing out towards the nozzle of the gun.
2. Position the end of the edgebanding in front of the heat gun and turn it on. It takes up to 30 seconds for the glue to melt. It will start to bubble when it is hot enough to start feeding. As the glue softens, hand feed the banding onto the roller.
3. Place the workpiece on the table and against infeed fence. Feed it towards the roller until the banding is caught between the roller and the workpiece. Keep feeding steadily, putting some



OPERATION

pressure against the roller to ensure the glue adheres to the surface of the board.

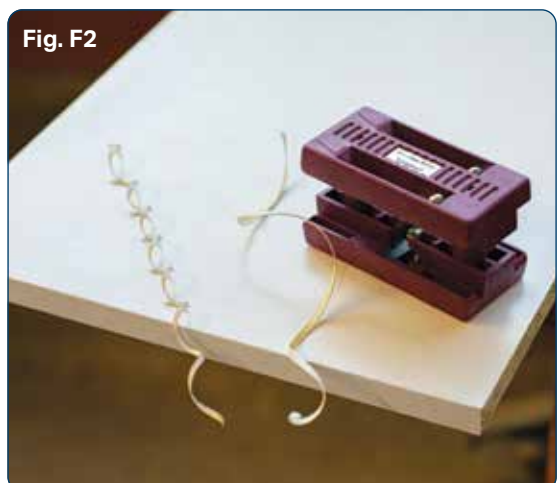
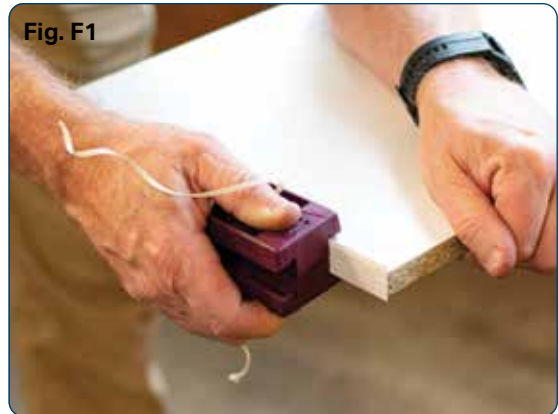
Fig. E1

NOTE: The hotter the gun, the faster the feed rate. We advise doing a sample first, to establish correct feed rate and heat. If the air is too cool or the feed rate is too quick, there will not be sufficient bond.

4. When the end of the board is approximately 40 mm from the end of the infeed fence, press the veneer cutting knob.

Fig. E2

5. Continue edgebanding until the entire edge of the work is covered. The veneer will extend slightly beyond the workpiece.
6. Turn off the gun and unplug it from the power source. Allow it to cool completely before storing your edge bander.



F. TRIMMING THE EDGEBANDING

Your edgebander is supplied with a double edge trimmer. It will trim materials from 12.7 to 25 mm thick.

1. Trim excess length with a sharp knife.
2. Place the edge trimmer over the edge of the board.
3. Squeeze together and slide down the board.

Fig. F1

NOTE: Optional End Trimmer is also available.

MAINTENANCE

G. MAINTENANCE

Prolonged use of the edgebander may cause a buildup of adhesive on the banding guides that can be removed.

1. Turn the heat gun on at a medium setting.

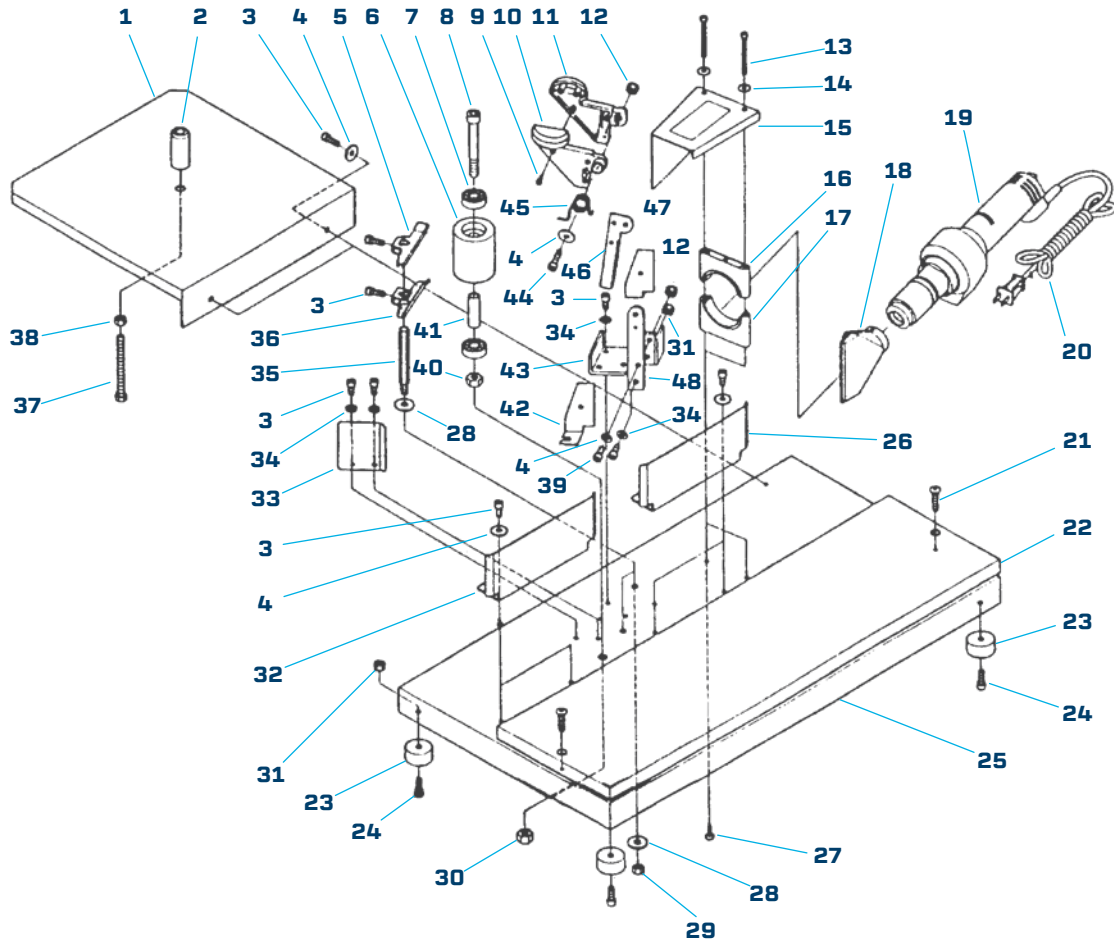
2. As the adhesive softens, peel it off with a putty knife. Be careful not to scratch the surface of the guides as this might hinder a smooth feed rate.

TROUBLESHOOTING

TO PREVENT INJURY TO YOURSELF or damage to the machine, turn the switch to the **"OFF"** position and unplug the power cord from the electrical receptacle before making any adjustments.

PROBLEM	LIKELY CAUSE(S)	SOLUTION(S)
Edgebander will not turn on.	<ol style="list-style-type: none"> 1. Not connected to power source. 2. Fuse blown, or circuit breaker tripped. 3. Cord damaged. 4. Hot air gun motor damaged. 	<ol style="list-style-type: none"> 1. Check plug connection. 2. Replace fuse, or reset circuit breaker. 3. Replace cord. 4. Have hot air gun repaired or replaced.
Edgebander will not heat.	<ol style="list-style-type: none"> 1. Temperature dial not set properly. 2. Hot air gun motor damaged. 	<ol style="list-style-type: none"> 1. Turn temperature dial toward the red . 2. Have hot air gun repaired or replaced.
Edgebanding material does not feed smoothly through guides.	<ol style="list-style-type: none"> 1. Guides not adjusted properly. 2. Guides need cleaning. 	<ol style="list-style-type: none"> 1. Position guides according to width of edgebanding material. 2. Follow instructions for cleaning off old adhesive from guides.
Edgebanding material will not bond to workpiece.	<ol style="list-style-type: none"> 1. Hot air gun not hot enough. 2. Feed rate too fast for heat level. 3. Infeed and/or outfeed fence not set properly 4. Edgebanding material does not have hot melt backing, or has poor adhesive, or is defective. 	<ol style="list-style-type: none"> 1. Turn temperature dial toward the red to increase heat. 2. Reduce feed rate, or increase heat level. 3. Fences should be recessed 1/32" to 3/64" from crown of pinch roller. 4. Replace edgebanding material.
Edgebanding material is difficult to cut.	<ol style="list-style-type: none"> 1. Plunge cutter being pushed down too lightly or slowly. 2. Knives in plunge cutter unit are dull. 	<ol style="list-style-type: none"> 1. Push down plunge cutter rapidly and firmly. 2. Replace knives in plunge cutter unit.

PARTS DIAGRAM



18

PART REF.	QTY	DESCRIPTION	PART REF.	QTY	DESCRIPTION	PART REF.	QTY	DESCRIPTION
1	1	OUTRIGGER SUPPORT	17	1	BOTTOM RETAINING CLAMP	33	1	HEAT SHIELD
2	1	STUD	18	1	NOZZLE (070236)	34	7	EYELET WASHER (M6x13)
3	16	HEX SCREW (M6 1.0x10)	19	1	HOT AIR GUN	35	1	STUD
4	7	EYELET WASHER (M6x20)	20	1	ELECTRIC CORD	36	2	LOWER EDGE GUIDE
5	2	UPPER EDGE GUIDE	21	2	FLAT HEAD SCREW (M6 1.0x20)	37	1	CAP SCREW (M8 1.25x90)
6	1	PINCH ROLLER	22	1	WORK TABLE	38	1	HEX NUT (M8 1.25)
7	2	BALL BEARING(6200#1)	23	4	RUBBER BOOT	39	1	HEX SCREW (M6 1.0x14)
8	1	HEX SCREW (M10 1.5x80)	24	5	HEX SCREW (M6 1.0x16)	40	1	HEX NUT(M10 1.5)
9	3	TAPPING SCREW (M4x12)	25	1	BASE	41	1	SPACER
10	1	HANDLE (RIGHT)	26	1	FENCE	42	1	KNIFE GUARD (RIGHT)
11	1	HANDLE (LEFT)	27	2	TAPPING SCREW (M5x15)	43	1	KNIFE BASE
12	2	HEX NUT (M6 1.0)	28	4	EYELET WASHER (M8x23)	44	1	HEX SCREW (M6 1.0x35)
13	2	RETAINING SCREW	29	1	HEX NUT (M8 1.25)	45	1	SPRING
14	2	EYELET WASHER (M5x15)	30	1	HEX NUT (M10 1.5)	46	1	UPPER KNIFE
15	1	HEAT SHIELD	31	5	HEX NUT (M6 1.0)	47	1	KNIFE GUARD (LEFT)
16	1	TOP RETAINING CLAMP	32	1	FENCE	48	1	BOTTOM KNIFE

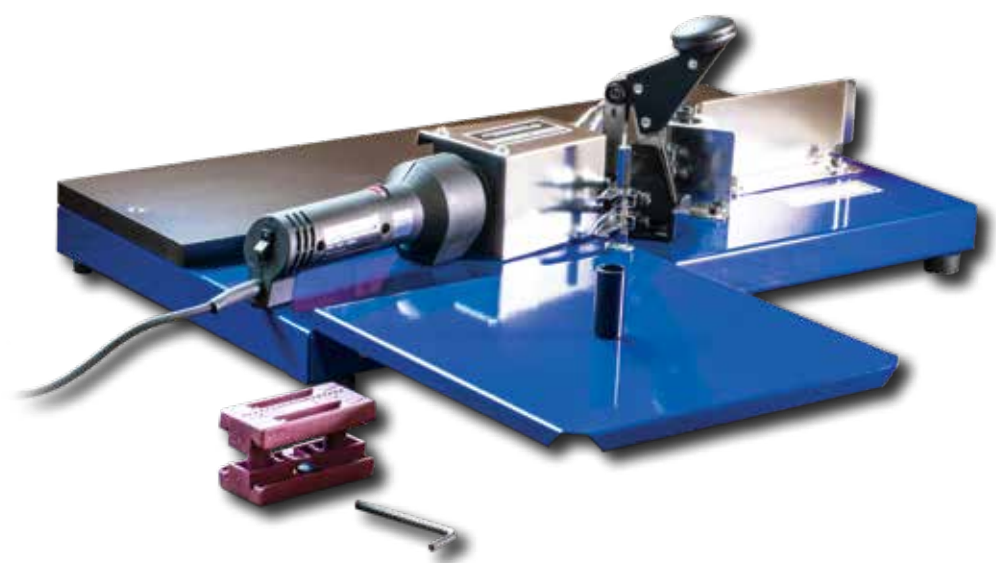
2 YEAR WARRANTY

WARRANTY

- A. We warrant that this Carbatec product will be free from defects caused by faulty workmanship or faulty materials for a period of 2 years from date of sale.
- B. This warranty is in addition to other rights and remedies you may have under a law in relation to the goods.
- C. This warranty does not apply in any of the following cases:
- i. Defects arising from:
 1. fair wear and tear;
 2. corrosive atmosphere;
 3. damage or injury caused by deliberate act, lack of care or failure to comply with the recommended care and maintenance for the goods;
 4. improper use of the goods;
 5. alterations or repairs (not made by us) to the goods;
 - ii. defects arising from an event outside of our control such as fire, flood, earthquake or other natural calamity, motor vehicle or other accident, strike, civil unrest, terrorism or war;
 - iii. to accessory items such as after-market jigs, accessories or other items which are not sold or serviced by us and which are not sold with or were not included with the main unit purchased; or
 - iv. to wearable parts such as drive belts/shafts, bearings, bandsaw tyres, motor brushes, blades or abrasive belts/discs or other cutting or machining implements.
 - v. damage caused to any electrical component, where connected to a power supply outside the country for which it was designed (namely Australia or New Zealand).
- D. If this warranty applies and you have complied with the procedure below for making a claim, we will, at our election, either repair the goods (or those parts of the goods recognised as defective) or will provide a replacement within a reasonable time at our expense.
- E. If this warranty applies, the procedure for making a claim is:
- i. you must contact us by email;
 - ii. you must include in the email the following information:
 1. a copy of the order or receipt for the goods;
 2. the serial or batch number printed on the machinery manufacturing plate; and
 3. a detailed description of the fault and how and when it arose; and
 4. If the fault is a type covered by this warranty, we will then make arrangements with you for the return of the goods to us (for repair or replacement) at our cost using our transport providers or we may decide to attend at your premises to repair or replace the goods.
- F. Our liability (and that of our resellers) under this warranty is wholly limited to repair or replacement of the goods (or those parts of the goods recognised as defective) in accordance with the procedure above and you have no right to other compensation, costs or damages under this warranty. But this does not mean that you may not have other rights under a law in relation to the goods.
- G. If following our inspection of goods returned by you under this warranty it is found that this warranty does not apply and you are not otherwise entitled to repair or replacement by us, you must, if requested by us, reimburse our costs including parts, labour and freight.
- H. This warranty is not transferable and only the person who purchased the goods may make a claim.
- Where the goods have been exported outside Australia or New Zealand, the Company may not require the Purchaser to return any allegedly faulty or defective Product for evaluation. However, the Company has the right to request the return for evaluation at purchasers cost.

STATUTORY NOTICE

Our goods come with guarantees that cannot be excluded under the Australian Consumer Law. You are entitled to a replacement or refund for a major failure and for compensation for any other reasonably foreseeable loss or damage. You are also entitled to have the goods repaired or replaced if the goods fail to be of acceptable quality and the failure does not amount to a major failure.



Carbatec Pty Ltd

E info@carbatec.com.au

AU 1800 658 111

NZ 0800 444 329

128 Ingleston Road, Wakerley,
Queensland Australia 4154

ABN 84 010 706 242

CARBATEC.COM.AU

carbatec®

2 YEAR
WARRANTY